

MPX 系列
SERIES

圆筒型 螺栓固定型
Stud Mounting, Cylindrical Type

◆ 特 长 / FEATURES

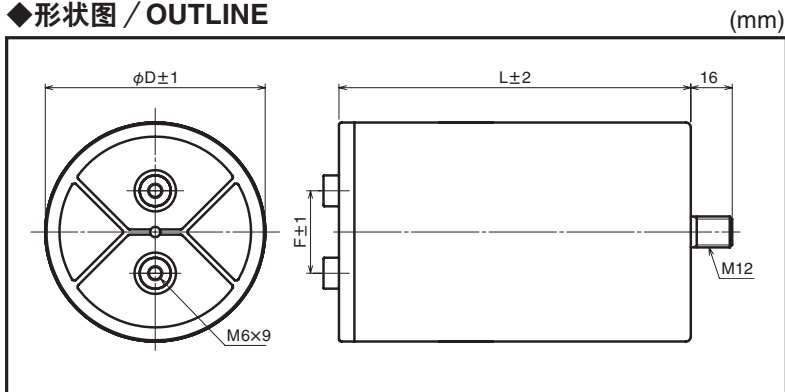
- 产业机器用逆变器滤波薄膜电容器。
Inverter smoothing capacitors for industrial.
- 具有自我修复性，是一款值得信赖的电容器。
Reliability is excellent because these capacitors provide self healing.
- 聚丙烯塑膜是高绝缘、低损耗品。
High isolation and low loss of polypropylene film used.
- 因为是螺栓固定型，所以可提高安装工作性。
Mounting workability can be improved by stud fixing screw.
- RoHS指令对应品。
RoHS compliance.



◆ 规 格 / SPECIFICATIONS

工作温度 / Category Temperature Range	-20°C ~ +70°C
额定电压 / Rated Voltage	1100Vdc
静电容量 / Capacitance	220μF ~ 1500μF
静电容量允许差 / Capacitance Tolerance	-15% ~ +5% (A)
耐电压 / Voltage Proof	端子间 额定电压x1.5 10秒 Between the terminals : Rated Voltage x 1.5 10s
	端子与外壳之间 2000Vdc 10秒 Between the terminal and case : 2000Vdc 10s
绝缘电阻 / Insulation Resistance	6000 Ω · F (20°C 120s 500Vdc)
拧紧端子扭矩 / Terminal Tightening Torque	4 ± 0.5 Nm
拧紧固定螺栓扭矩 / Fixing Bolt Tightening Torque	10 ± 1.0 Nm
外壳 / Case	铝 / Aluminum
填充树脂 / Filling Resin	环氧树脂 / Epoxy Resin

◆ 形状图 / OUTLINE



◆ 产品型号体系 / PART NUMBER

111	MPX	□□□	A	R99	W6
额定电压 Rated Voltage	系列名称 Series	静电容量 Capacitance	静电容量允许差 Capacitance Tolerance	副记号 Option	端子记号 Terminal code

◆标准品一览表/STANDARD SIZE

额定电压 Rated Voltage	静电容量 Cap(μF)	尺寸 Dimensions (mm)			允许电流 Permissible Current (Arms/10kHz)	ESL (nH)	编号 Part No.
		D	L	F			
1100 Vdc	220	85	106	32	25	≤40	111MPX227AR99W6
	280	85	136	32	22	≤40	111MPX287AR99W6
	330	85	136	32	27	≤40	111MPX337AR99W6
	370	85	136	32	30	≤45	111MPX377AR99W6
	420	85	136	32	43	≤50	111MPX427AR99W6
	460	116	136	50	30	≤80	111MPX467AR99W6
	500	116	136	50	36	≤80	111MPX507AR99W6
	680	116	186	50	44	≤65	111MPX687AR99W6
	1000	116	246	50	46	≤65	111MPX108AR99W6
	1200	116	246	50	48	≤70	111MPX128AR99W6
	1500	116	246	50	50	≤90	111MPX158AR99W6

- 也在生产电容和额定电压不同的塑胶薄膜电容器。详情请咨询我们。
Different capacitance and rated voltage item is available. For details, please consult our sales offices .